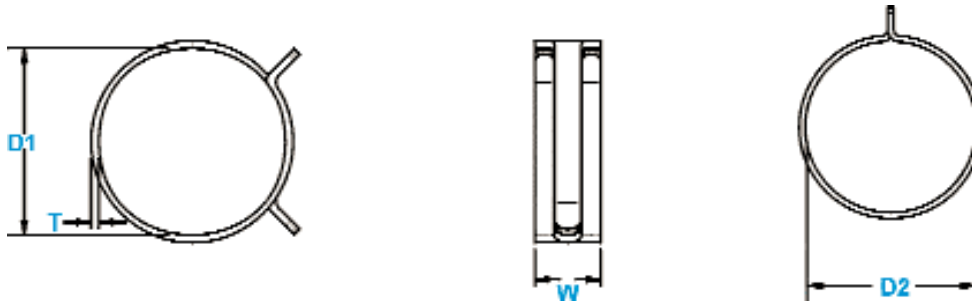


CTL Hose Clamps - Constant Tension Light Band



Note: Safety Glasses should be worn when installing parts.

FINISH: Phosphate; Mechanical Zinc Plate

MATERIAL: SAE 1060-1090 Spring Steel, Austempered

Rotor Clamp CTL No.	Universal Clamp Equivalent	Nom. Hose O.D. Installed		Free I.D. Max. D1		Full Open Diameter Min. D2		W (Ref)		T Thickness	
		Inch	mm	Inch	mm	Inch	mm	Inch	mm	Inch	mm
CTL-4	UM 3162	.23	5.9	.210	5.33	.250	6.35	.25	6.3	.020	.51
CTL-4.5	UM 6044	.28	7.1	.240	6.10	.300	7.62	.25	6.3	.015	.38
CTL-4.5 SP1	UM 3173	.28	7.1	.240	6.10	.300	7.62	.25	6.3	.020	.51
CTL-5	UM 5005	.31	7.9	.301	7.65	.345	8.76	.31	7.9	.030	.76
CTL-6	UM 5006	.38	9.5	.321	8.15	.405	10.29	.31	7.9	.020	.51
CTL-6 SP1	UM 2562	.38	9.5	.335	8.51	.410	10.41	.31	7.9	.020	.51
CTL-6.5	UM 5073	.41	10.3	.375	9.53	.450	11.43	.31	7.9	.025	.64
CTL-7	UM 5007	.44	11.1	.405	10.29	.485	12.32	.31	7.9	.025	.64
CTL-7.5	UM 5075	.47	11.9	.430	10.92	.515	13.08	.31	7.9	.025	.64
CTL-8	UM 5008	.50	12.7	.460	11.68	.545	13.84	.31	7.9	.030	.76
CTL-8.5	UM 5077	.53	13.5	.490	12.45	.573	14.55	.31	7.9	.030	.76
CTL-9	UM 5078	.56	14.3	.500	12.70	.621	15.77	.31	7.9	.030	.76
CTL-9 SP1	UM 5009	.56	14.3	.520	13.21	.605	15.37	.31	7.9	.030	.76
CTL-9.5	UM 5079	.59	15.1	.520	13.72	.650	16.51	.31	7.9	.030	.76
CTL-10	UM 5010	.63	15.9	.583	14.81	.668	16.97	.31	7.9	.030	.76
CTL-10.5	UM 5081	.66	16.7	.620	15.75	.725	18.42	.31	7.9	.030	.76
CTL-11	UM 5082	.69	17.5	.583	14.81	.720	18.29	.31	7.9	.030	.76
CTL-11 SP1	UM 5083	.69	17.5	.639	16.23	.709	18.01	.31	7.9	.045	1.14
CTL-11 SP2	UM 5011	.69	17.5	.655	16.64	.750	19.05	.31	7.9	.030	.76
CTL-11.5	UM 4320	.72	18.3	.685	17.40	.775	19.69	.38	9.5	.050	1.27
CTL-12	UM 5084	.75	19.1	.645	16.38	.828	21.03	.38	9.5	.030	.76
CTL-13	UM 5013	.81	20.6	.750	19.05	.900	22.86	.38	9.5	.040	1.02
CTL-14	UM 5014	.88	22.2	.810	20.58	.970	24.64	.38	9.5	.040	1.02
CTL-15	UM 5015	.94	23.8	.860	21.84	1.030	26.16	.38	9.5	.045	1.14
CTL-16	UM 5016	1.00	25.4	.910	23.11	1.080	27.43	.38	9.5	.045	1.14
CTL-16.5	UM 5093	1.03	26.2	.950	24.13	1.130	28.70	.38	9.5	.035	.89
CTL-17	UM 5017	1.06	27.0	.970	24.64	1.180	29.97	.38	9.5	.045	1.14
CTL-18	UM 5018	1.13	28.6	1.040	26.42	1.240	31.50	.38	9.5	.045	1.14
CTL-19	UM 5019	1.19	30.2	1.100	27.94	1.280	32.51	.38	9.5	.045	1.14
CTL-20	UM 5020	1.25	31.8	1.180	29.97	1.450	36.83	.38	9.5	.045	1.14
CTL-24	UM 5024	1.50	38.1	1.350	34.29	1.670	42.42	.38	9.5	.045	1.14
CTL-26	UM 4073	1.63	41.3	1.450	36.83	1.800	45.72	.38	9.5	.045	1.14

For Technical Assistance, Call 1-800-55-ROTOR
(1-800-557-6867)

For the most up-to-date specifications, online quotations & sample orders, visit rotorclip.com